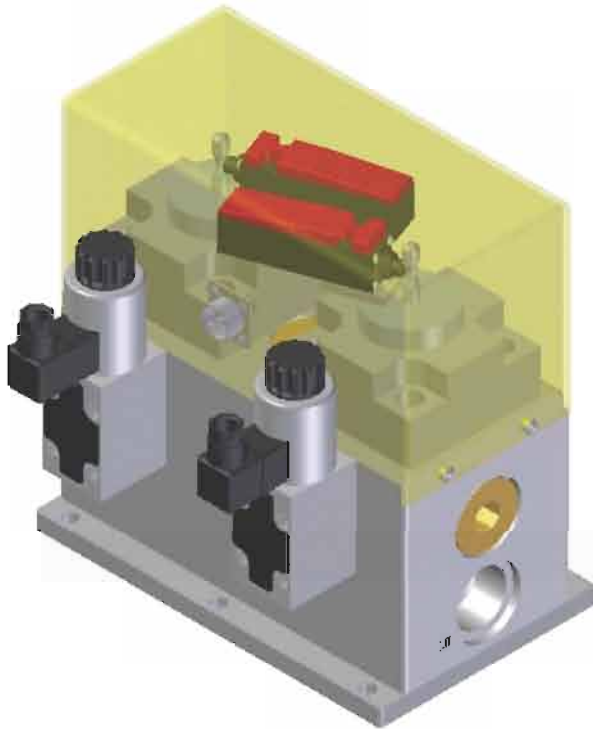


# Control Reliable Hydraulic Blocking Valve

VW25-806-016-016-0-X

VW-32-806-020-020-0-X



This valve package features redundant valve elements that allow series flow from the inlet to the outlet of the valve package. This configuration assures that if either valving element fails to operate as requested, inlet flow will be blocked. The shifting of each valving element is monitored by its own safety switch.

## Typical Applications

- Bending Machines
- Trimming Machines
- Cutting, Forming, Piercing Machines
- Special Purpose Hydraulic Applications

## Approximate Dimensions:

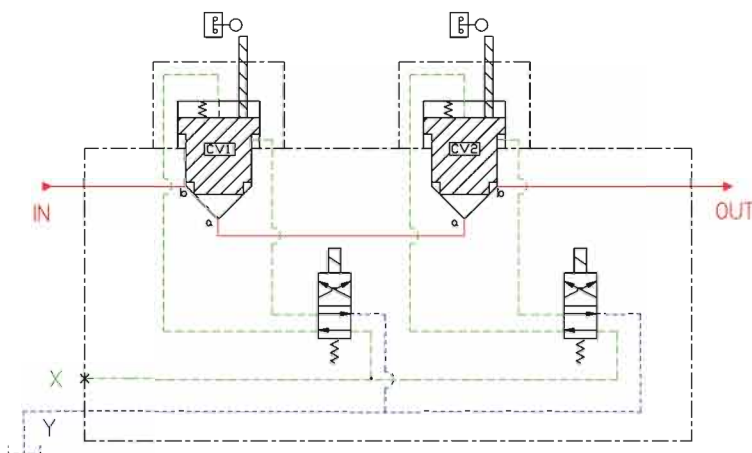
10.63"(270mm)L x 6.63"(168mm)W x 11"(283mm)H

## Ports:

Inlet(P) = SAE #16 or #20  
 Outlet(A) = SAE #16 or #20

## Solenoid Voltage:

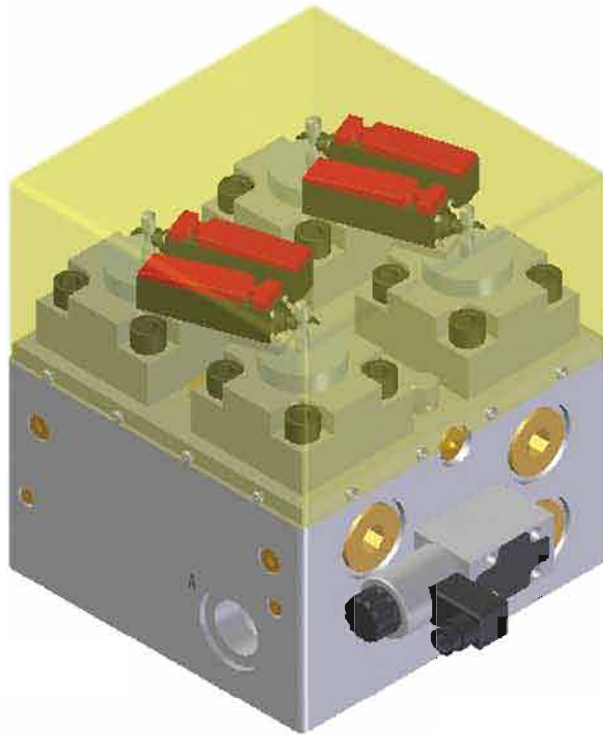
12, 24, 48 VDC  
 115, 230 VAC/60Hz



# Control Reliable Hydraulic Double Valve

VW25-821-016-016-0-X

VW32-821-020-020-0-X



This valve package features redundant valve elements that allow series flow from the inlet to the outlet of the valve package and allows parallel flow from the outlet to tank. This configuration assures that if either valving element fails to operate as requested, inlet flow will be blocked and fluid from the outlet is directed to the tank. The shifting of each valving element is monitored by its own safety switch.

## Typical Applications

- Bending Machines
- Trimming Machines
- Cutting, Forming, Piercing Machines
- Special Purpose Hydraulic Applications

## Approximate Dimensions:

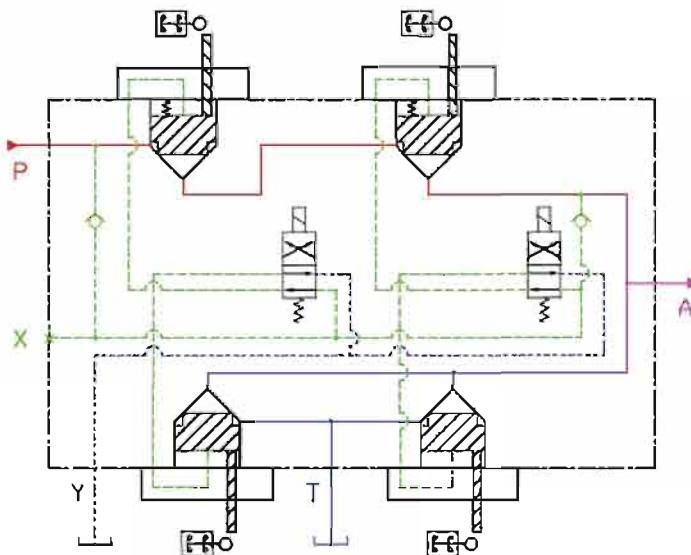
10.63"(270mm)L x 11"(280mm)W x 12"(300mm)H

## Ports:

- Inlet(P) = SAE #16 or #20
- Outlet(A) = SAE #16 or #20
- Tank(T) = SAE #16 or #20

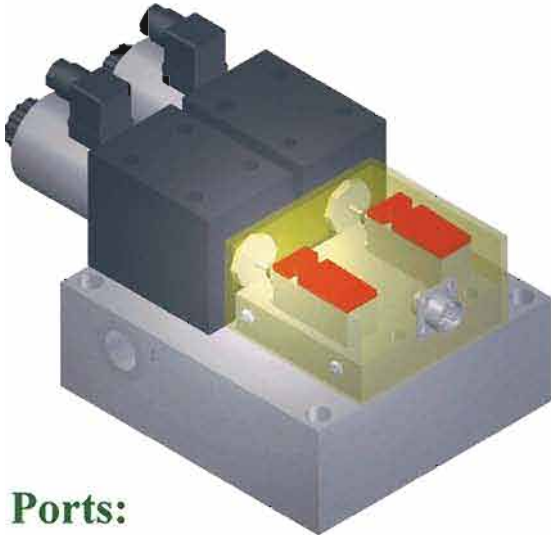
## Solenoid Voltage:

- 12, 24, 48 VDC
- 115, 230 VAC/60Hz



# HYDRAULIC DOUBLE VALVE

VW5-012-012-1-B



This valve package features redundant valve elements that allow series flow from the inlet to the outlet of the valve package and allows parallel flow from the outlet to tank. This configuration assures that if either valving element fails to operate as requested, inlet flow will be blocked and fluid from the outlet is directed to the tank. The shifting of each valving element is monitored by its own safety switch.

**Ports:**

Inlet: SAE #12  
 Outlet: SAE #12  
 Tank: SAE #12

**Solenoid Voltage:**

12, 24, 48 VDC  
 115, 230 VAC/60Hz

**Approximate Dimensions:**

8.25"(209mm)L x 7.75"(197mm)W x 7.15"(182mm)H

**Typical Applications**

- Bending Machines
- Trimming Machines
- Cutting, Forming, Piercing Machines
- Special Purpose Hydraulic Applications

